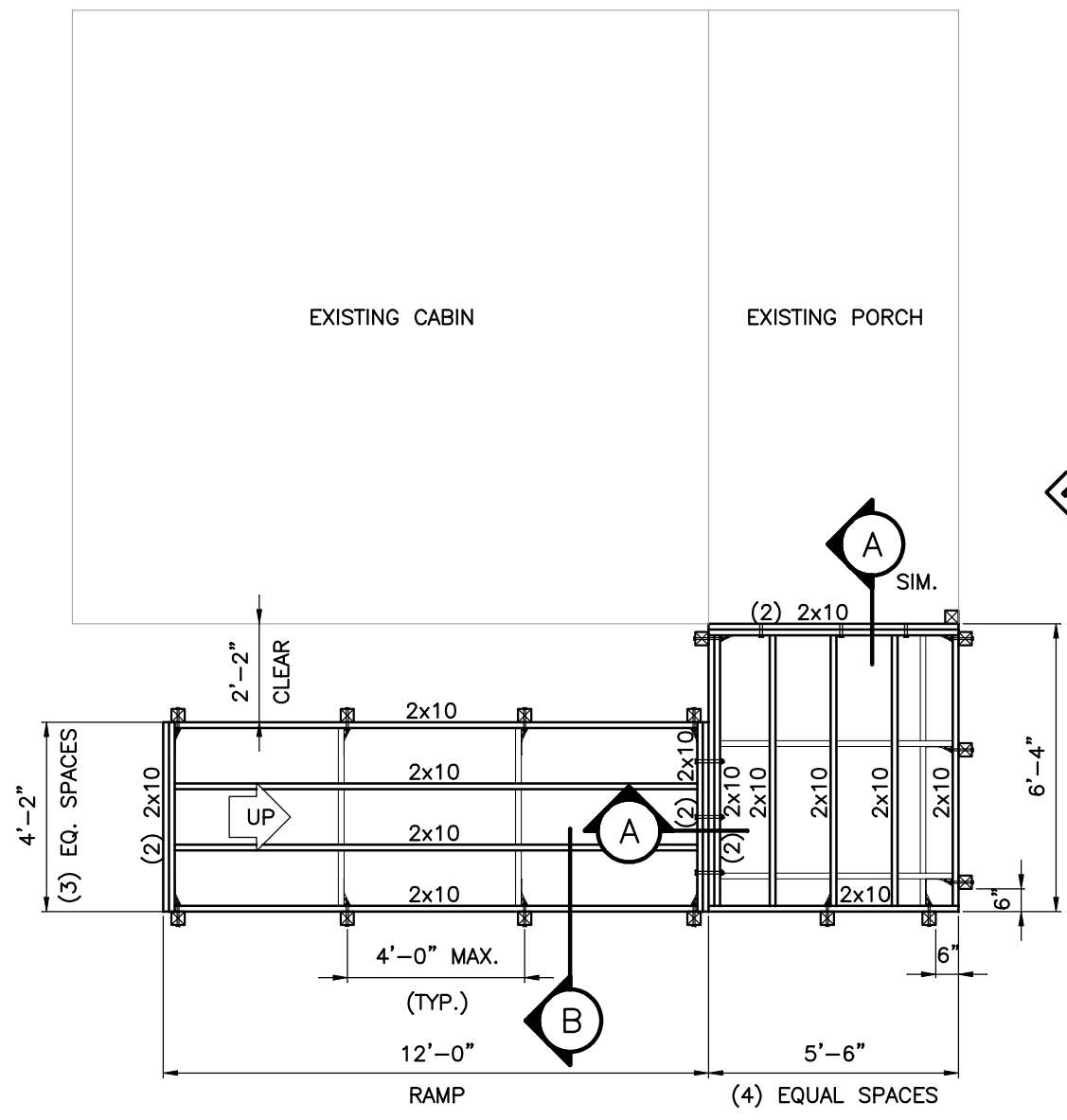


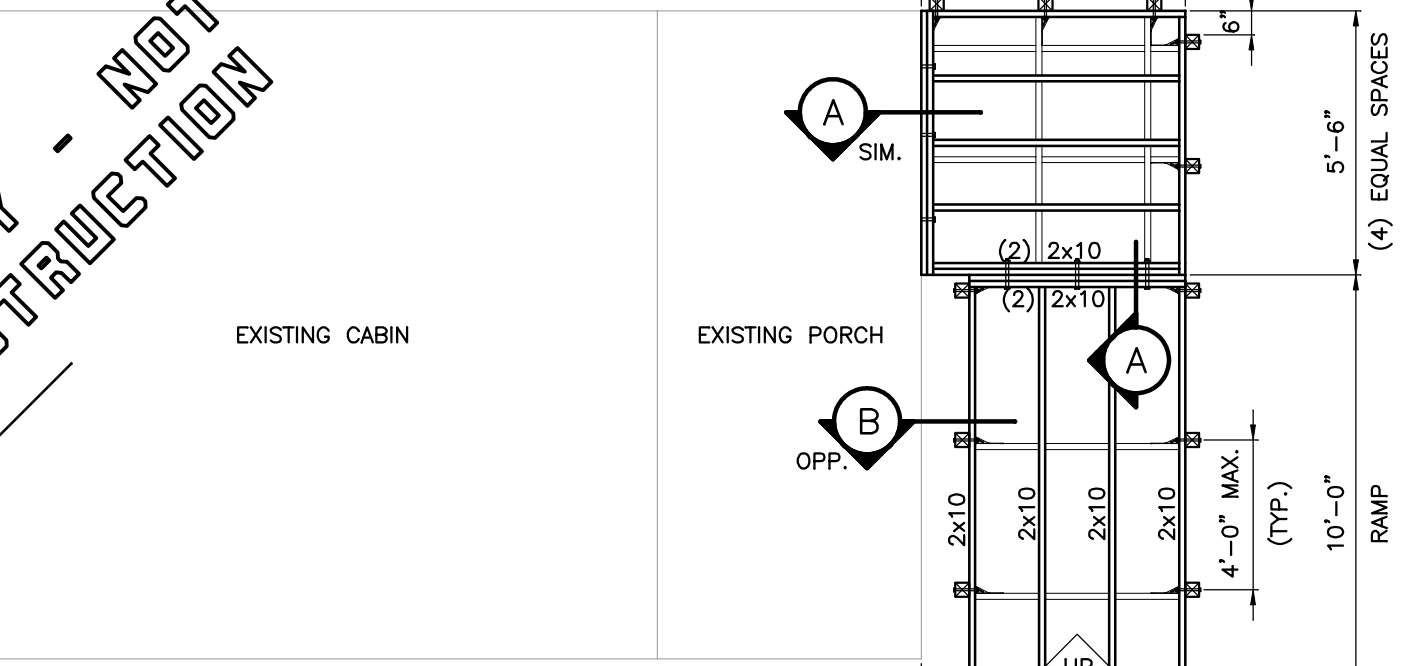
PRELIMINARY - NOT FOR CONSTRUCTION

DATE: 29AUG17



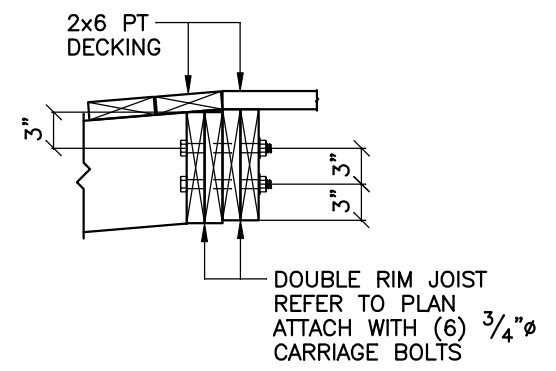
1 FRAMING TYPE 1
 $\frac{1}{4}'' = 1'-0''$

- 1) CONCRETE MASONRY UNITS (NOT SHOWN) ARE TO BE INSTALLED AT MIDSPAN OF RAMP JOISTS FOR SUPPORT. REFER TO ARCH. DWGS.
- 2) OUTSIDE CORNERS OF PLATFORM TO BE SUPPORTED BY CONCRETE MASONRY UNITS (TYP). REFER TO ARCH. DWGS.

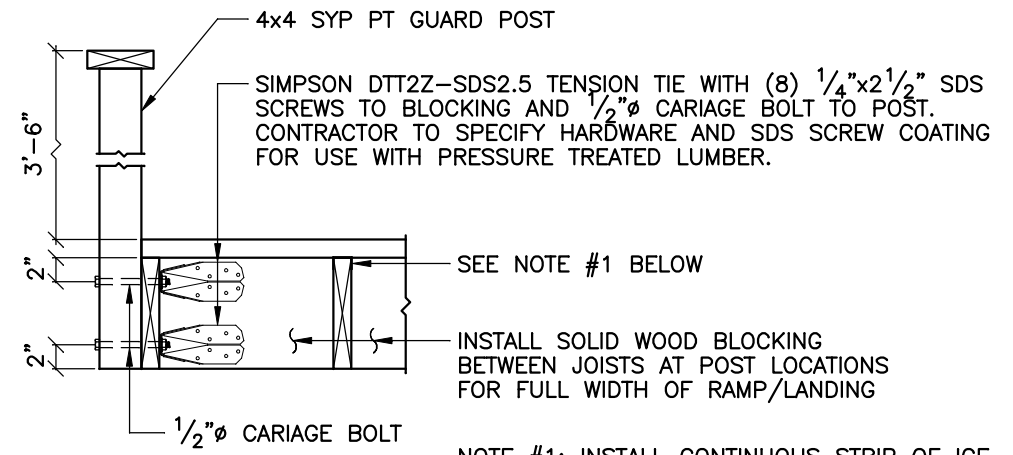


2 FRAMING TYPE 2
 $\frac{1}{4}'' = 1'-0''$

- 1) CONCRETE MASONRY UNITS (NOT SHOWN) ARE TO BE INSTALLED AT MIDSPAN OF RAMP JOISTS FOR SUPPORT. REFER TO ARCH. DWGS.
- 2) OUTSIDE CORNERS OF PLATFORM TO BE SUPPORTED BY CONCRETE MASONRY UNITS (TYP). REFER TO ARCH. DWGS.



DETAIL A



DETAIL B

NOTE #1: INSTALL CONTINUOUS STRIP OF ICE & WATER SHIELD ON TOP FLANGE OF JOISTS/BLOCKING TO PREVENT STANDING WATER DAMAGE BETWEEN JOIST AND DECKING. THIS IS OPTIONAL.

HBI VERMONT, PLLC 528 ESSEX ROAD, SUITE 206 WILLISTON, VERMONT 05495 Tel: (802) 662-4081 Fax: (802) 662-4248	ADA RAMPS RAMP/PLATFORM FRAMING	ISSUE DATE: PROJECT NUMBER: 2017-068 SKS-1
--	--	--